

SHEAR TYPE LOAD CELL

Rated Load 3000 - 5000 kg



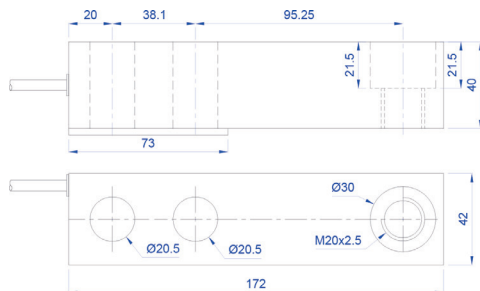
automation and engineering

SKX



SPECIFICATION

• Rated load	kg	3000 - 5000
• Sensitivity	mV/V	2 +/- 0.1%
• Total Error	%FS	+/- 0.03
• Creep	%FS/30 min	+/- 0.025
• Zero Balance	%FS	+/- 1
• Zero Temperature Drift	%FS/10°C	+/- 0.015
• Rated Output Temperature Drift	%FS/10°C	+/- 0.015
• Input Resistance	Ω	385 +/- 20
• Output Resistance	Ω	350 +/- 5
• Insulation Resistance	M Ω	\geq 5000
• Supply Voltage	Vac/dc	10 max 15
• Compensated Temperature Range	°C	-10 ÷ +40
• Operating Temperature Range	°C	-30 ÷ +60
• Safe Overload	%FS	150
• Ultimate Load	%FS	200
• Cable	mm/m	\varnothing 5mm - L 5 m
• Material		Stainless steel
• Cable Color Code		Excit.: Brown (+), Green (-) Sense: Grey (+), Pink (-) Signal: Yellow (+), White (-)
• Sealing		IP68 - Welded



automation and engineering

27020 Travacò Siccomario
Via del Tovo 5/3 Pavia Italy

Tel. +39 0382 482657
Fax +39 0382 1850248

commerciale@logic-pavia.it
www.logic-pavia.it

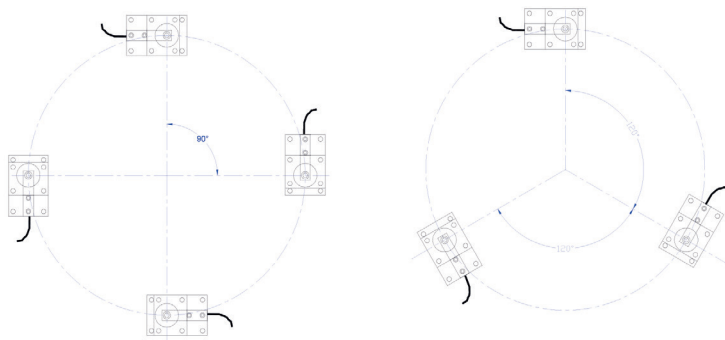
SHEAR TYPE LOAD CELL

Rated Load 3000 - 5000 kg

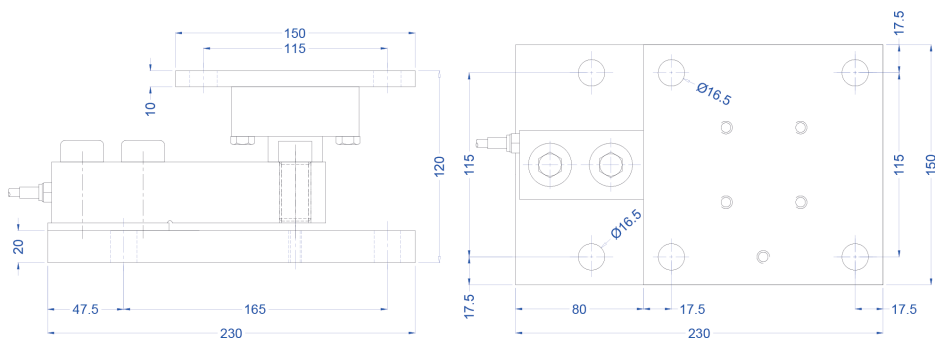


automation and engineering

TREE AND FOUR LOAD CELL ARRANGEMENT



MOUNTING FOOT MOD. MK-SKX-5T



automation and engineering

27020 Travacò Siccomario
Via del Tovo 5/3 Pavia Italy

Tel. +39 0382 482657
Fax +39 0382 1850248

commerciale@logic-pavia.it
www.logic-pavia.it