

SHEAR TYPE LOAD CELL

Rated Load 0,5 - 1 - 2 tons



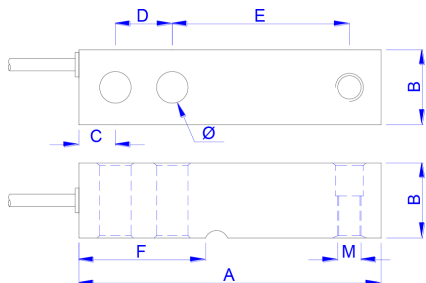
automation and engineering



SKX-2T

SPECIFICATION

• Rated Capacity (FS)	Kg	500 -1000-2000
• Combined Error	%FS	+/- 0.02
• Creep (30 min)	%FS	+/- 0.025
• Zero Temperature Drift	%FS/10°C	+/- 0.015
• Rated Output Temperature Drift	%FS/10°C	+/- 0.015
• Zero Balance	%FS	+/- 1
• Accuracy Class		C3
• Input Resistance	Ω	385 +/- 20
• Output Resistance	Ω	350 +/- 5
• Insulation Resistance	M Ω	\geq 5000
• Supply Voltage	Vac/dc	1 ... 15
• Compensated Temperature Range	°C	-10 ÷ +40
• Operating Temperature Range	°C	-20 ÷ +60
• Safe Overload	%FS	150
• Ultimate Load	%FS	300
• Material		Stainless steel
• Cable (dia/length)		IP68 ø 5 mm – 5 m
• Cable Color Code		Excit: Brown (+), Green (-) Sense: Grey (+), Pink (-) Signal: Yellow (+), White (-)



Capacity (ton)	Size mm							M-Thread
	A	B	C	D	E	F	ø	mm
0,5-1-2	132	31	18	254	76,2	52	13	M12x1,75

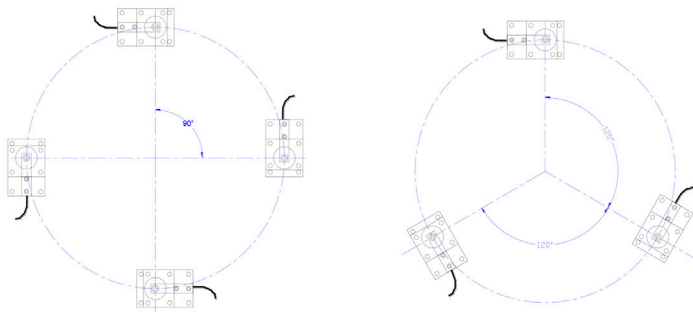
SHEAR TYPE LOAD CELL

Rated Load 0,5 - 1 - 2 tons

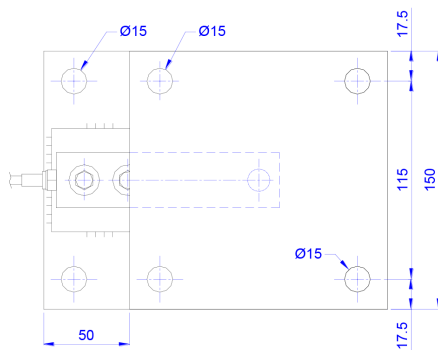
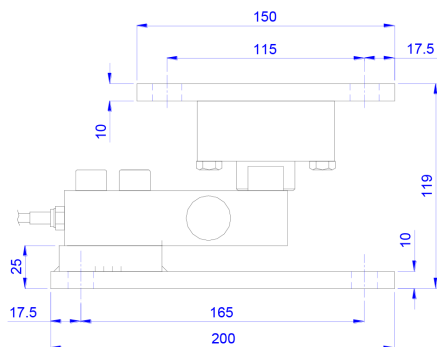


automation and engineering

TREE AND FOUR LOAD CELL ARRANGEMENT



MOUNTING FOOT MOD. MK-SKX-2T



automation and engineering

27020 Travacò Siccomario
Via del Tovo 5/3 Pavia Italy

Tel. +39 0382 482657
Fax +39 0382 1850248

commerciale@logic-pavia.it
www.logic-pavia.it