

BRIDGE LOAD CELL

Rated Load 5 - 10 - 20 - 30 tons



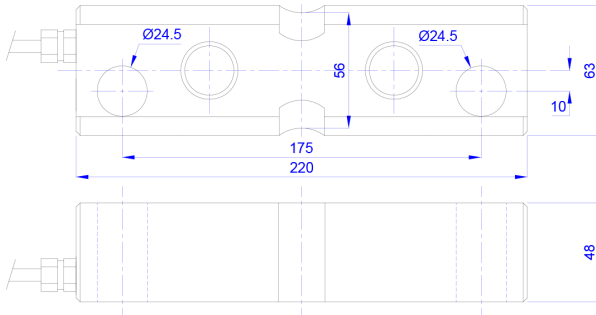
automation and engineering



VCL

SPECIFICATION

• Sensitivity	mV/V	2 +/- 0.01
• Non-linearity	%FS	+/- 0.03
• Hysteresis	%FS	+/- 0.03
• Repeatability	%FS	+/- 0.02
• Creep	%FS/30 min	+/- 0.03
• Zero Balance	%FS	+/- 1
• Zero Temperature Drift	%FS/10°C	+/- 0.03
• Rated Output Temperature Drift	%FS/10°C	+/- 0.03
• Input Resistance	Ω	750 +/- 10
• Output Resistance	Ω	700 +/- 3
• Insulation Resistance	M Ω	\geq 5000
• Supply Voltage	Vac/dc	5 max 15
• Compensated Temperature Range	°C	-10 ÷ +50
• Operating Temperature Range	°C	-20 ÷ +60
• Safe Overload	%FS	150
• Ultimate Load	%FS	300
• Cable	mm	\varnothing 6 - L 5000
• Material		Stainless steel
• Cable Color Code		Input: Red (+), Black (-) Output: Green (+), White (-)
• Sealing		IP67 - Welded
• Rated Load	tons	5-10-20-30



automation and engineering

27020 Travacò Siccomario
Via del Tovo 5/3 Pavia Italy

Tel. +39 0382 482657
Fax +39 0382 1850248

commerciale@logic-pavia.it
www.logic-pavia.it

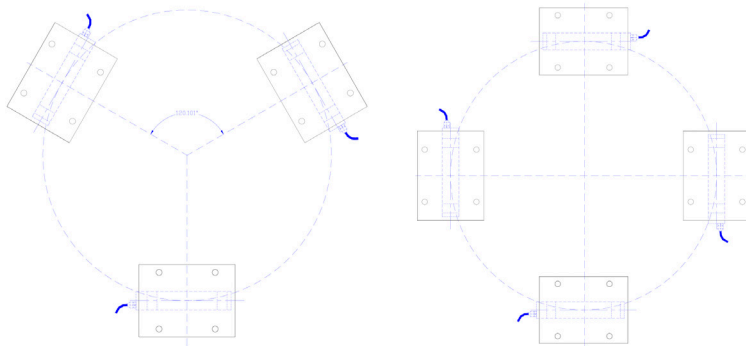
BRIDGE LOAD CELL

Rated Load 5 - 10 - 20 - 30 tons



automation and engineering

TREE AND FOUR LOAD CELL ARRANGEMENT



MOUNTING FOOT MOD. MK-VCL 30T

