

# SHEAR TYPE LOAD CELL

Rated Load 3000 - 5000 kg



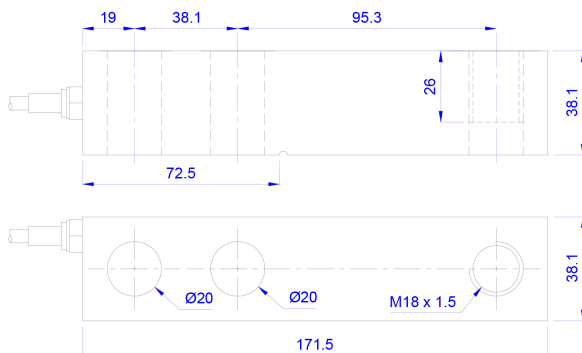
automation and engineering



# SQB

## SPECIFICATION

• Sensitivity	mV/V	3 +/- 0.003
• Total error	%FS	+/- 0.03
• Creep	%FS/30 min	+/- 0.02
• Zero Balance	%FS	+/- 1
• Zero Temperature Drift	%FS/10°C	+/- 0.02
• Rated Output Temperature Drift	%FS/10°C	+/- 0.02
• Input Resistance	$\Omega$	400 +/- 10
• Output Resistance	$\Omega$	352 +/- 3
• Supply Voltage	M $\Omega$	$\geq$ 5000
• Compensated Temperature Range	Vac/dc	10 max 15
• Operating Temperature Range	°C	-10 ÷ +50
• Safe Overload	°C	-30 ÷ +70
• Ultimate Load	%FS	150
• Cable	%FS	300
• Material	mm	$\varnothing$ 6 - L 4m
• Cable Color Code		Stainless steel Input: Red (+), Black (-) Output: Green (+), White (-)
• Sealing		IP67 - Welded
• Rated Load	kg	3000 - 5000



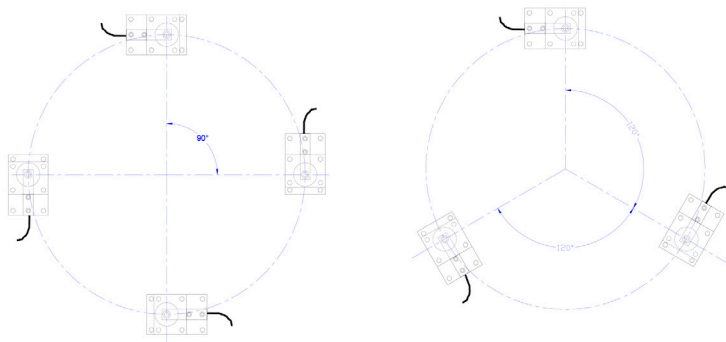
# SHEAR TYPE LOAD CELL

Rated Load 3000 - 5000 kg

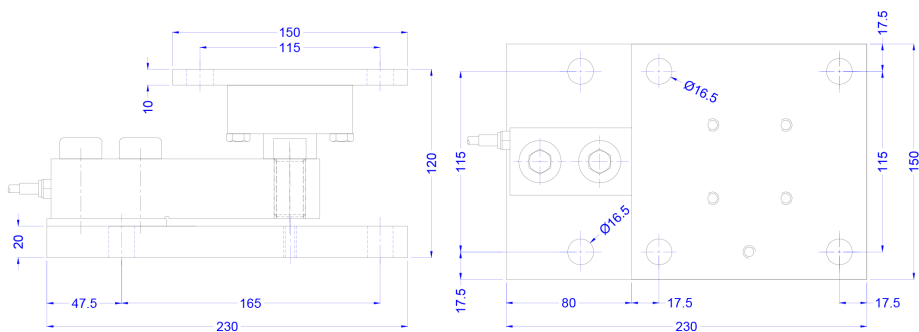


automation and engineering

## TREE AND FOUR LOAD CELL ARRANGEMENT



## MOUNTING MOD. MK-SQB 5 TON



automation and engineering

27020 Travacò Siccomario  
Via del Tovo 5/3 Pavia Italy

Tel. +39 0382 482657  
Fax +39 0382 1850248

commerciale@logic-pavia.it  
[www.logic-pavia.it](http://www.logic-pavia.it)